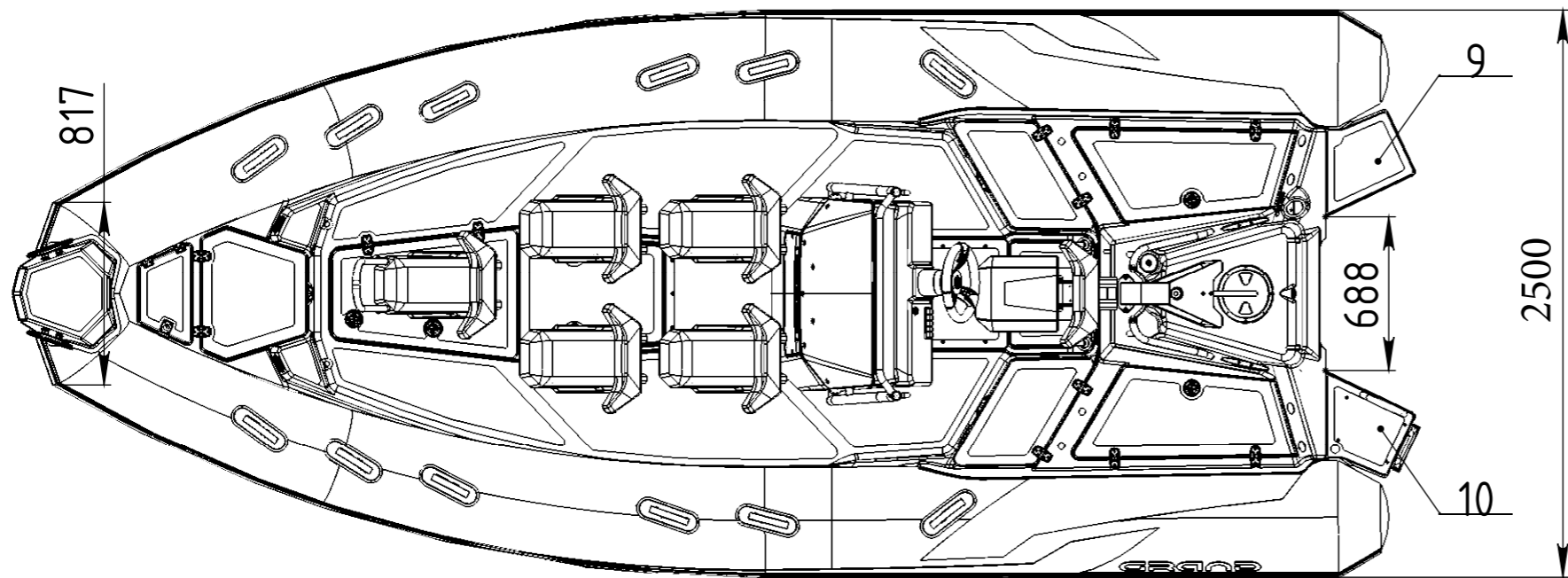
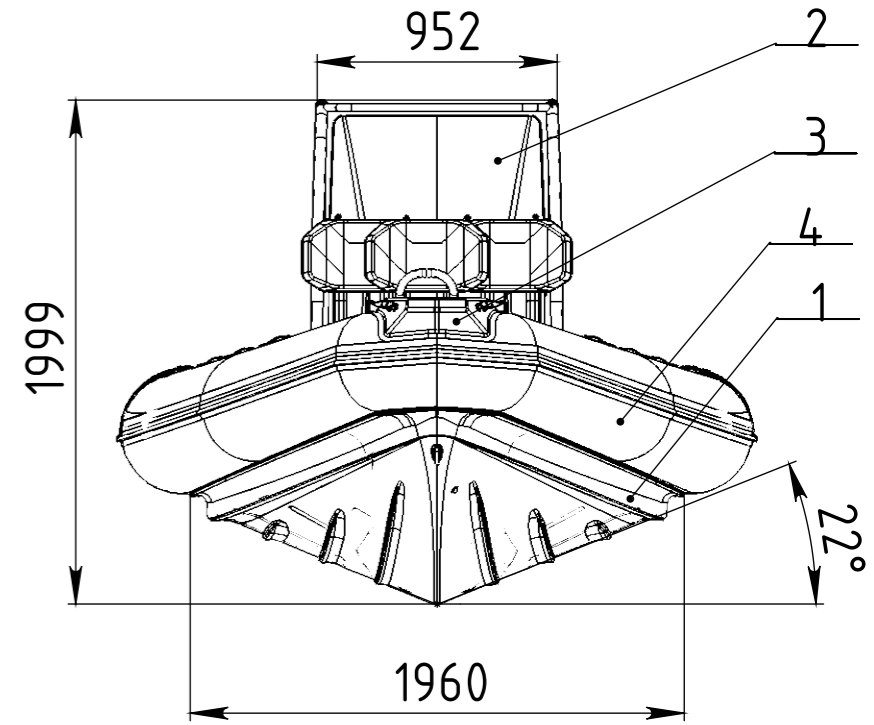
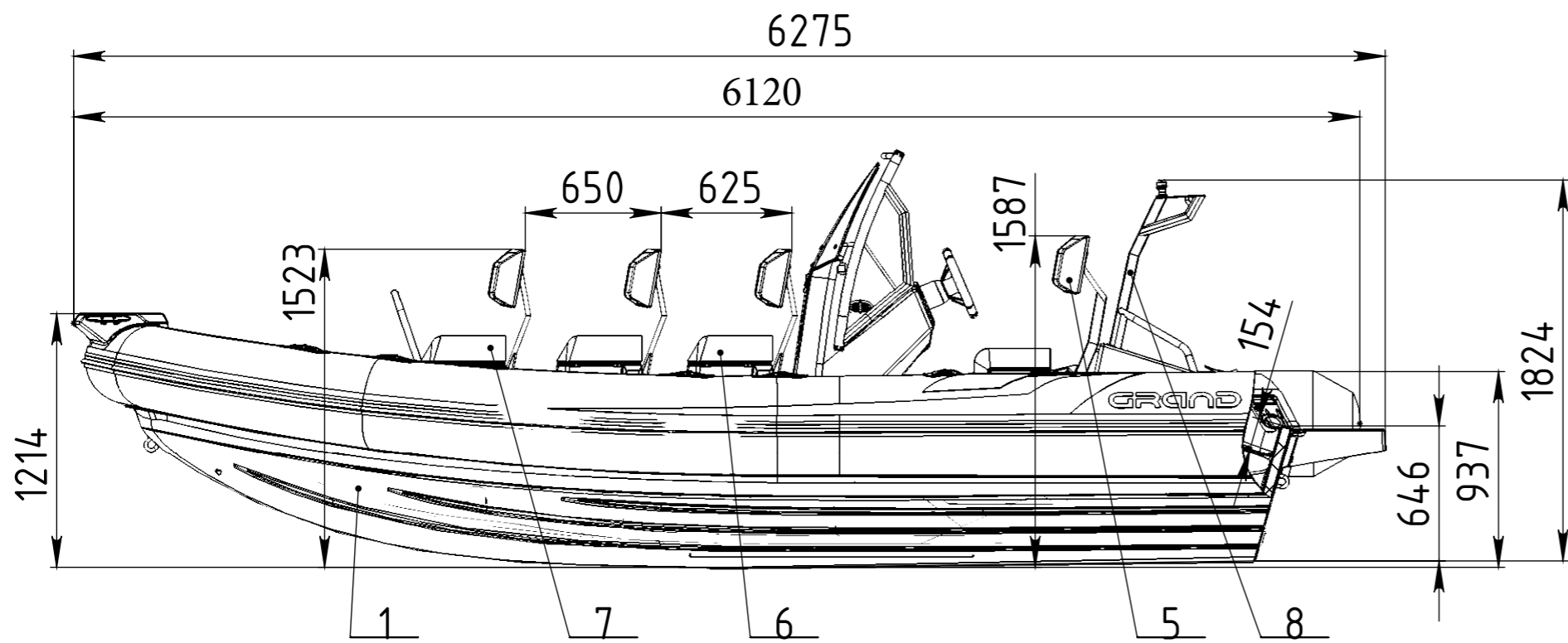


D600-0.00.00.000-01



Item	Designation	Denomination	Qty
1	16001	Fiberglass hull	1
2	42500R	Steering console CL-26 (DRIVE)	1
3	40632	Bow step plate	1
4	35804	Inflate tube	1
5	40640	Adjustable kinematic jockey seat SS-01	1
6	40630	Fiberglass jockey seat SS-02	2
7	40631	Fiberglass jockey seat SS-02 with handle	3
8	53104	Waterski towing/navigation arch, painted	1
9	40635	Right swimming platform	1
10	40638	Left swimming platform with ladder	1

DIMENSION (cm)		CAPACITY		TUBE	
Length overall	612	Passengers capacity	12	Tube diameter (cm)	50
Length internal	440	Max loading capacity (kg)	1110	Number of chambers	5
Width overall	250	Transport gross weight (kg)	746	Tube volume (m*3)	2.01
Width internal	154	Bare boat weight (kg)	626	Tube material	PVC/Hypalon
Engine max (HP)	150				
Engine recommended (HP)	130				

	№ doc	Sign.	Date
Drawn	Miroshnichenko S.		07.02.20
Confirm	Borodin V.		

<b>DRIVE D600 DRIVE</b>		Scale	
		1:30	
<b>16001</b>		Layout 1	Layouts 1
		<b>Grand Marine LTD</b>	

Подпись и дата  
 Инв. № дубл.  
 Взам. инв. №  
 Подпись и дата  
 Инв. № подл.